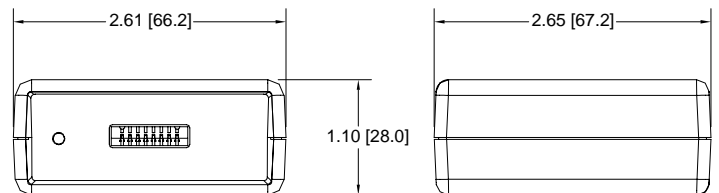
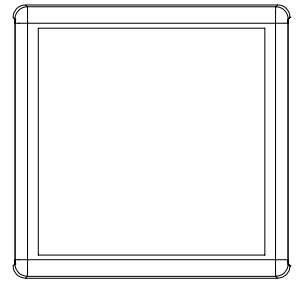
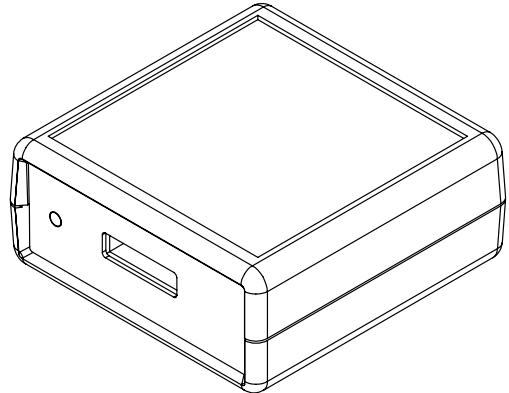


The NFX memory interface provides for an easy direct connection of the NFX Token to a PC. It connects via a USB interface and includes a "Token busy" LED. A reference design is also available - please consult the factory.

Mechanical	
Contact Life (Socket)	50,000 insertion/removal cycles min.
Electrical	
Power Requirements	Supplied through USB 5V, 50mA typical
I/O Connector	Type B USB Interface (1.1 & 2.0 compatible)
Environmental	
Storage Temperature	-40° C to 85° C
Operating Temperature	0° C to 50° C
Relative Humidity	5% to 95% (non-condensing)
Supplied Accessories	
USB Cable Type A to B M/M 6 feet [1.82m]	
Mating Component(s)	
Tokens	NFX Managed-Memory [®] Series
Ordering Information ¹	
NFX Interface	607-0077-000A



Drawing dimensions are in inches and millimeters [mm]. Dimensions are nominal and subject to manufacturer's tolerances.

NOTE:

1: "A" suffix on part number indicates RoHS compliance.

